



US010205919B2

(12) **United States Patent**
Staton et al.

(10) **Patent No.:** **US 10,205,919 B2**

(45) **Date of Patent:** **Feb. 12, 2019**

(54) **FIXTURE**

(71) Applicant: **NEWTONOID TECHNOLOGIES, L.L.C.**, Liberty, MO (US)

(72) Inventors: **Fielding B. Staton**, Liberty, MO (US);
David Strumpf, Columbia, MO (US)

(73) Assignee: **Newtonoid Technologies, L.L.C.**, Liberty, MO (US)

(*) Notice: Subject to any disclaimer, the term of this patent is extended or adjusted under 35 U.S.C. 154(b) by 0 days.

(21) Appl. No.: **15/939,106**

(22) Filed: **Mar. 28, 2018**

(65) **Prior Publication Data**

US 2018/0288376 A1 Oct. 4, 2018

Related U.S. Application Data

(60) Provisional application No. 62/477,655, filed on Mar. 28, 2017.

(51) **Int. Cl.**

G06F 3/01 (2006.01)
G03B 21/14 (2006.01)
H04N 9/31 (2006.01)
F21S 8/02 (2006.01)
G06F 17/30 (2006.01)

(52) **U.S. Cl.**

CPC **H04N 9/3141** (2013.01); **F21S 8/02** (2013.01); **G03B 21/14** (2013.01); **G03B 21/145** (2013.01); **G06F 3/01** (2013.01); **G06F 17/30244** (2013.01); **H04N 9/3194** (2013.01)

(58) **Field of Classification Search**

CPC G06F 3/01; H04N 9/3194; H04N 9/3147; G03B 21/14

See application file for complete search history.

(56) **References Cited**

U.S. PATENT DOCUMENTS

6,843,694 B2 1/2005 Simmons
2008/0106422 A1 5/2008 Sparks et al.
2012/0269399 A1 10/2012 Anderson et al.
2013/0063702 A1 3/2013 Nemeth et al.
2015/0087278 A1* 3/2015 Kim H04L 12/2818 455/414.1
2015/0382434 A1 12/2015 Noesner et al.
2016/0241823 A1 8/2016 Blaser, Jr. et al.

OTHER PUBLICATIONS

PCT Application No. PCT/US2018/024963, International Search Report and Written Opinion, dated Jun. 11, 2018, 14 pages. Aura Lighting, Aura Light, Sustainable Lighting for Business, dated Feb. 21, 2017—Applicant Admitted Prior Art.

* cited by examiner

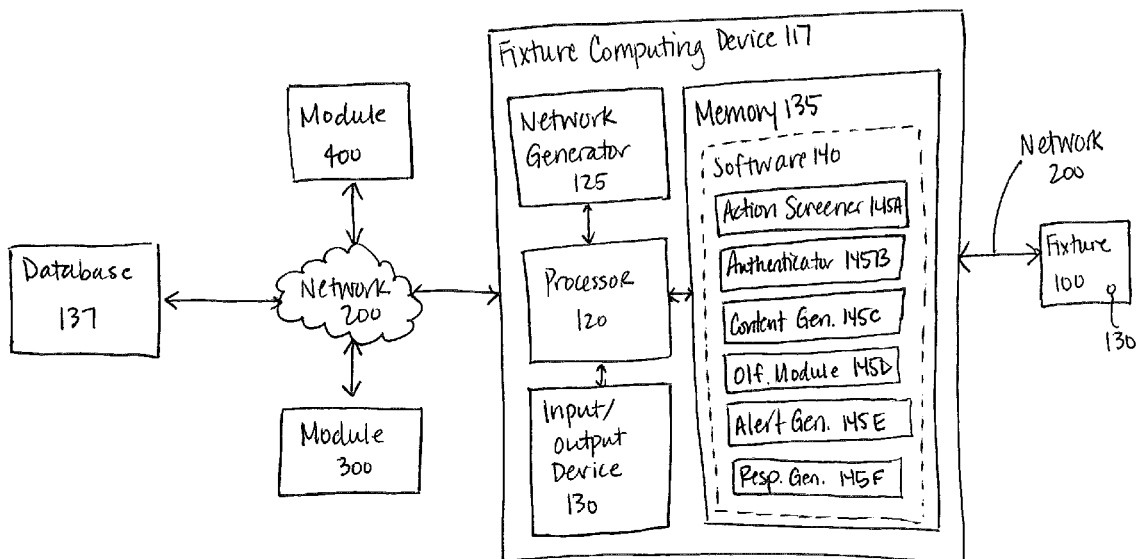
Primary Examiner — Ryan D Howard

(74) Attorney, Agent, or Firm — Lathrop Gage LLP

(57) **ABSTRACT**

A fixture includes a housing having an output device, at least one sensor, and a projector for projecting image data. The fixture further includes a fixture computing system that is communicatively coupled to the output device, the sensor, and the projector and includes a processor, and non-transitory computer memory having programming for receiving information from the at least one sensor and causing the projector to project the image data.

15 Claims, 12 Drawing Sheets



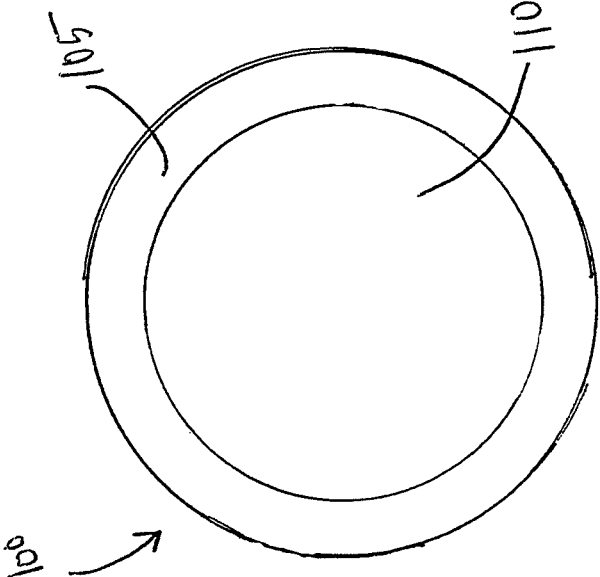


FIG. 1

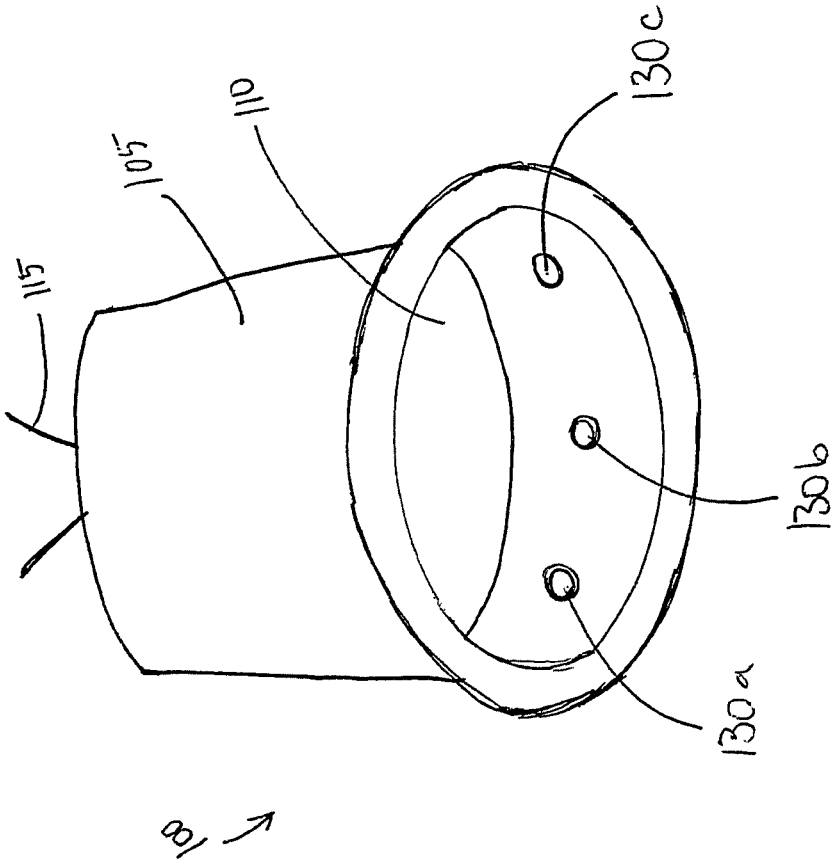


FIG. 2

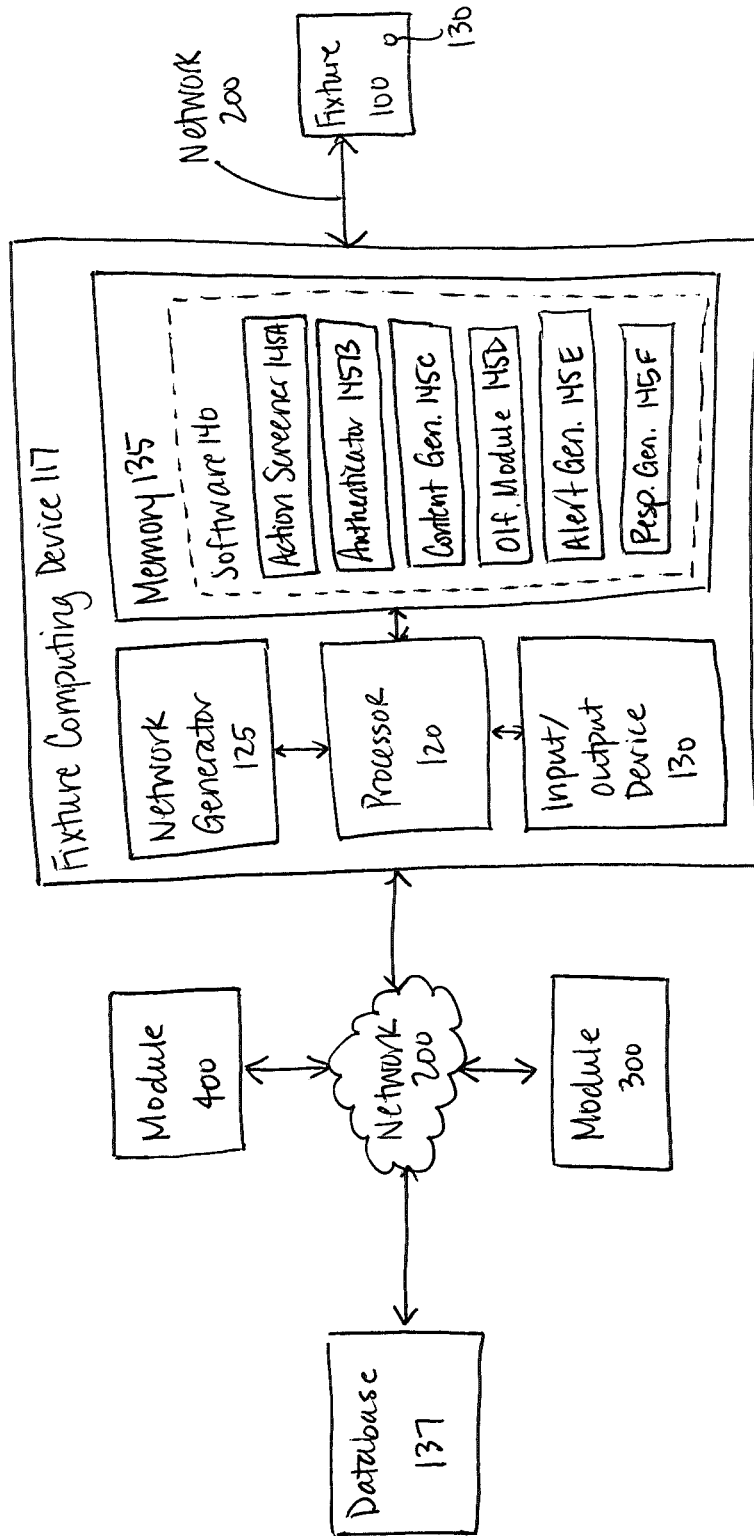
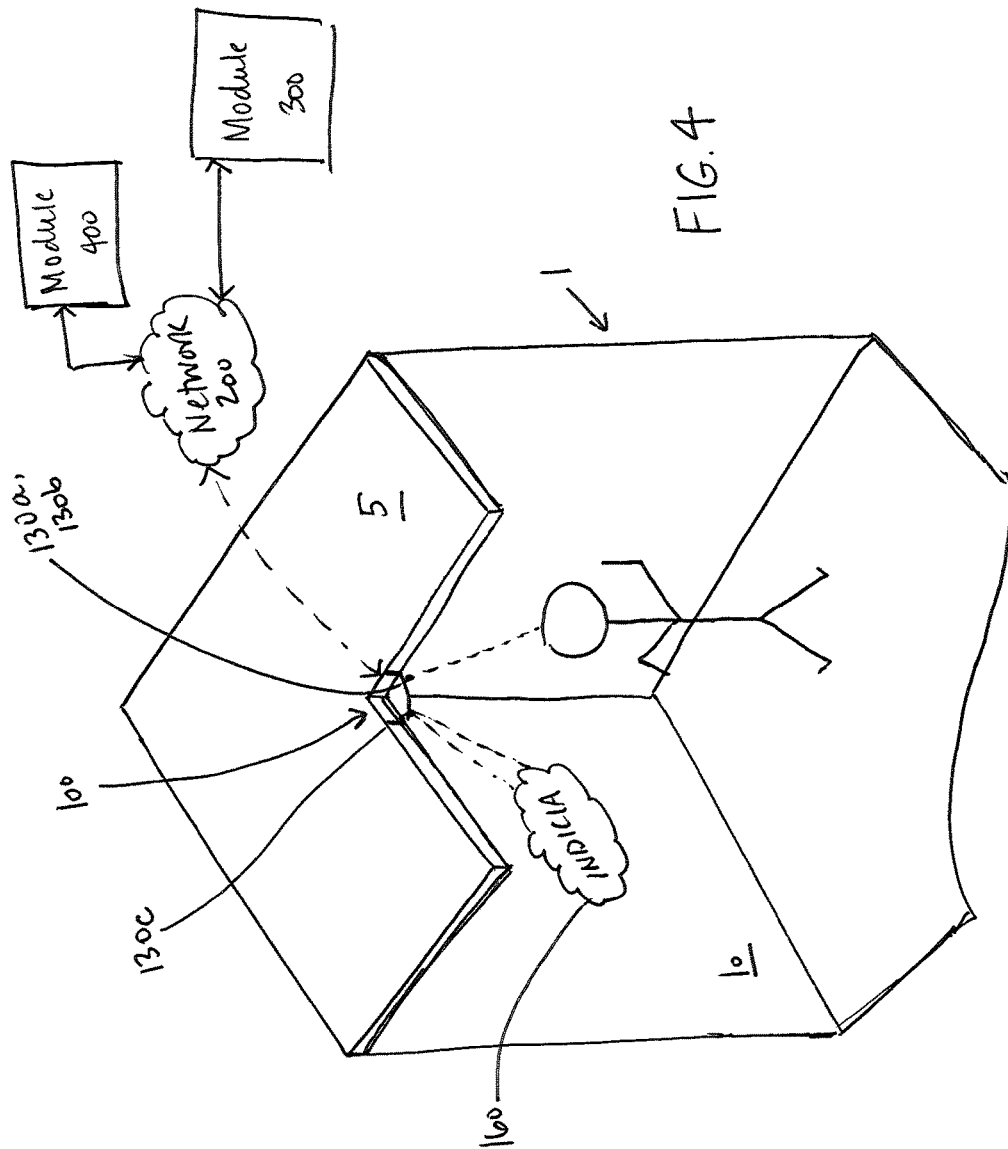
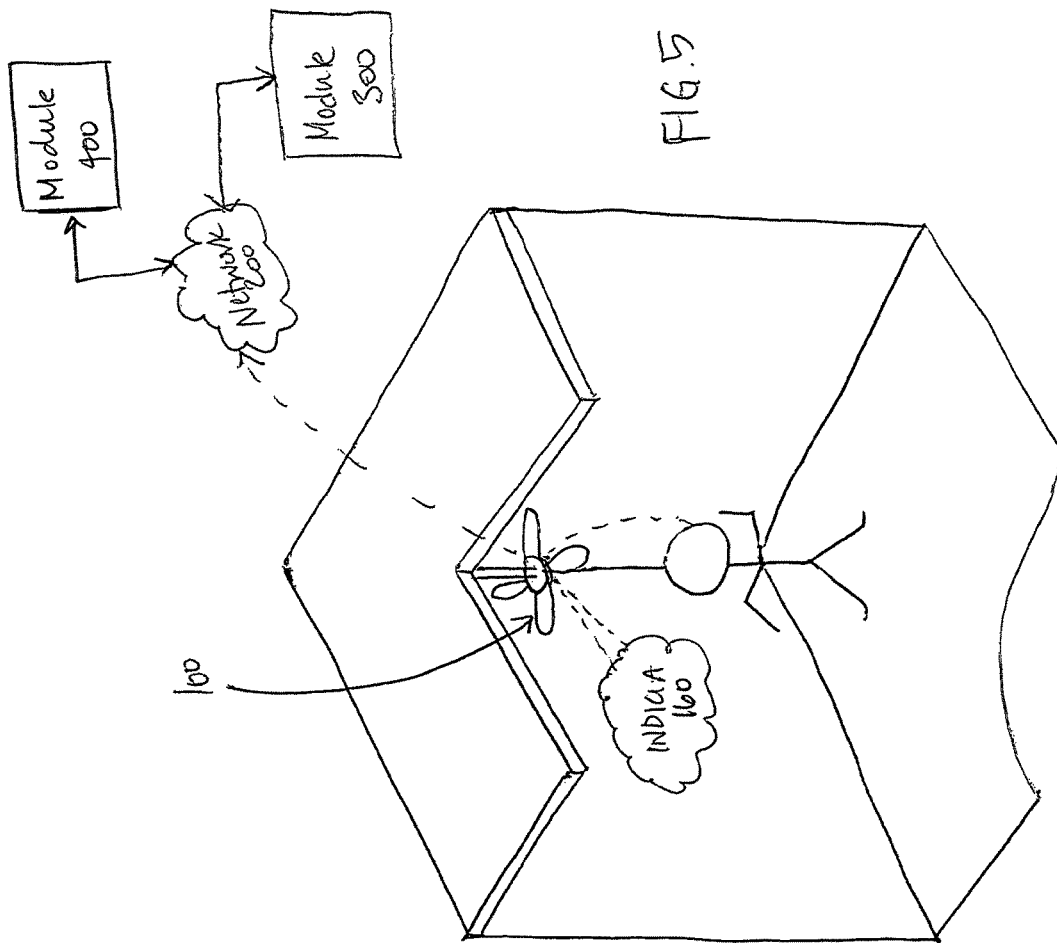


FIG. 3





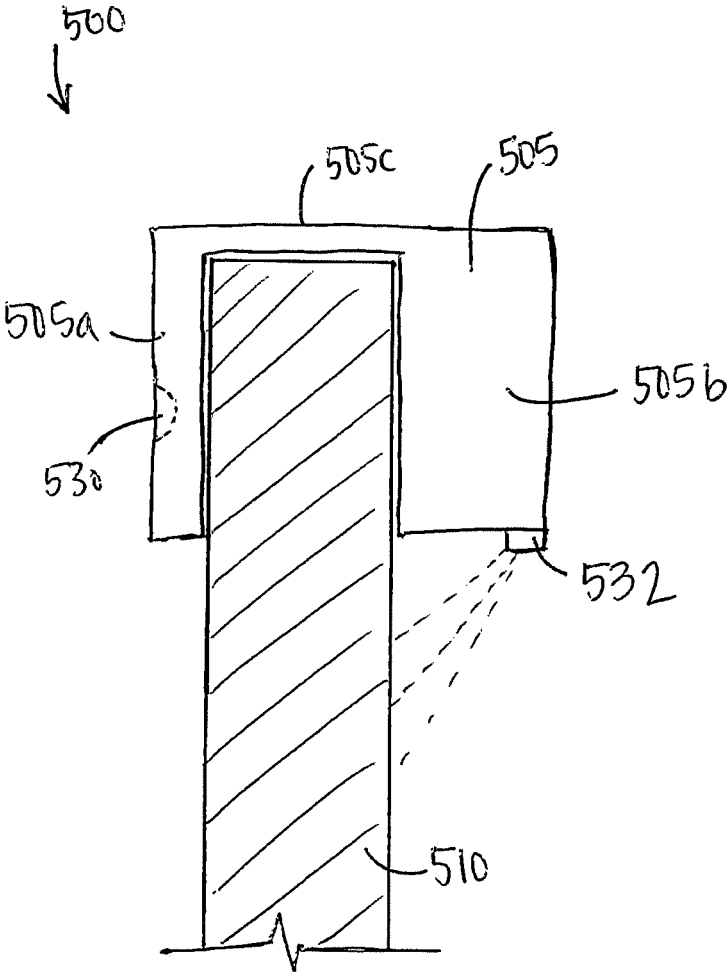


FIG. 6

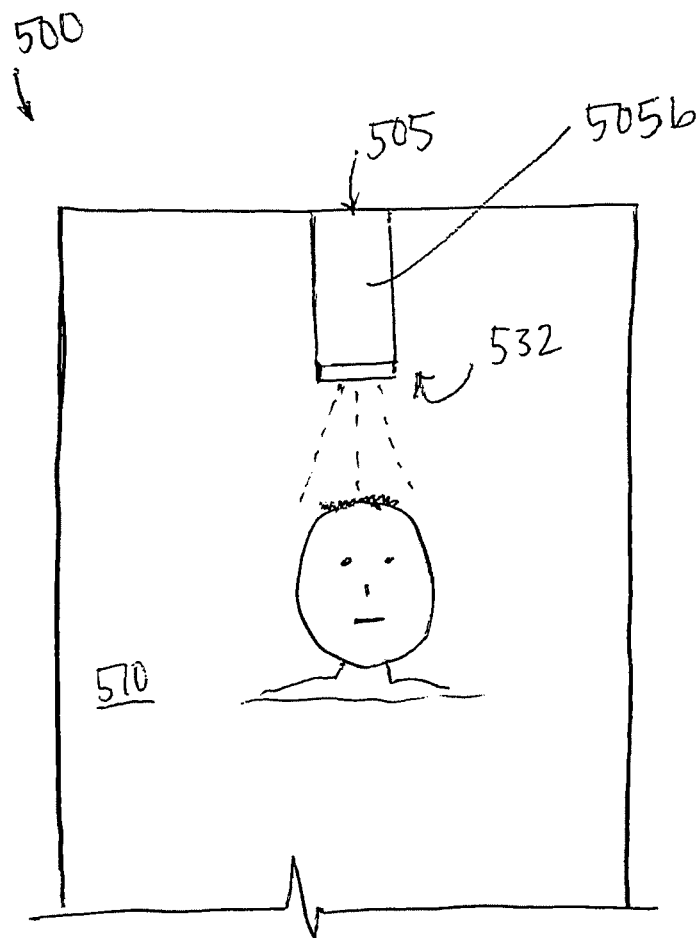


FIG. 7A

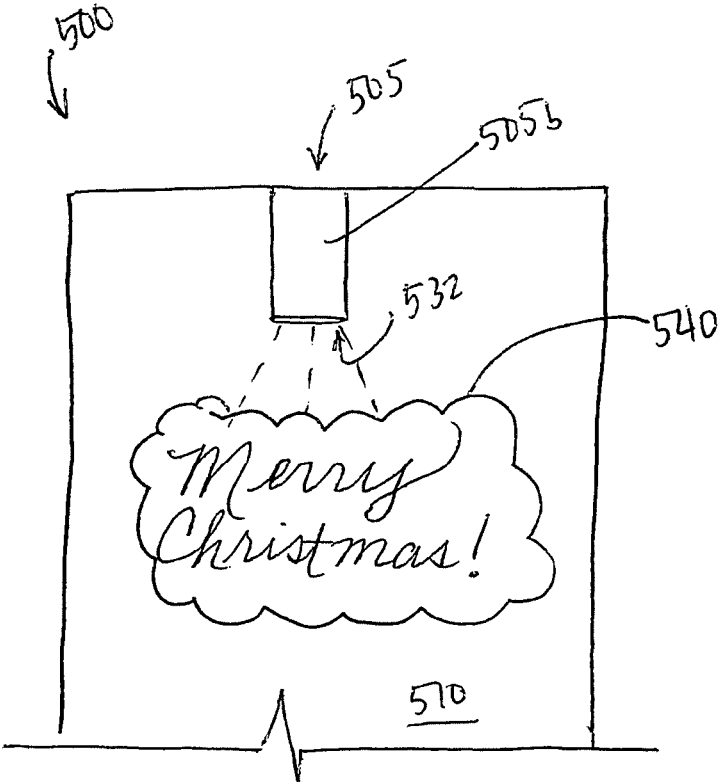
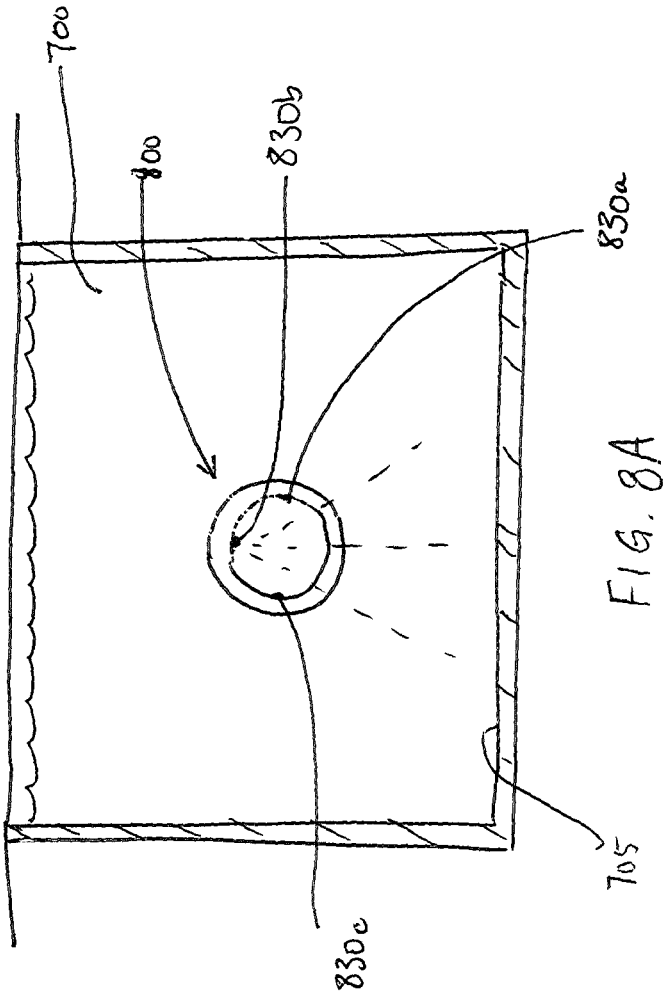


FIG. 7B



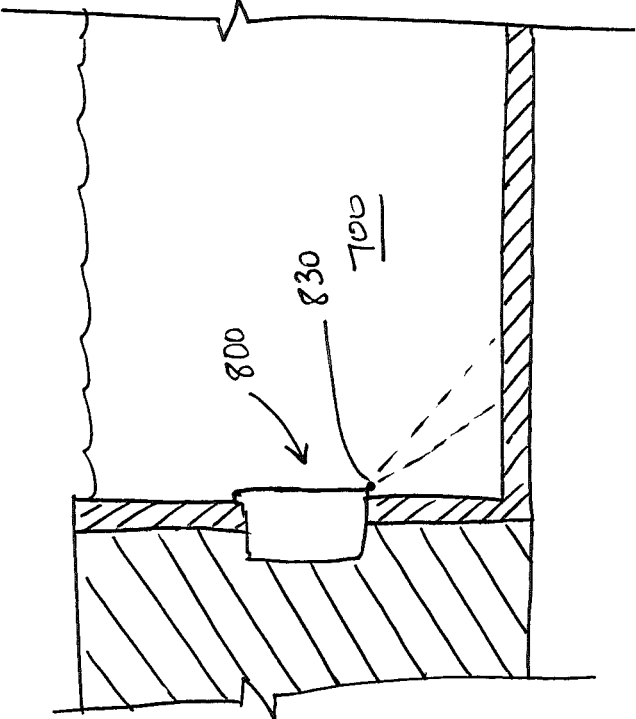


FIG. 8B

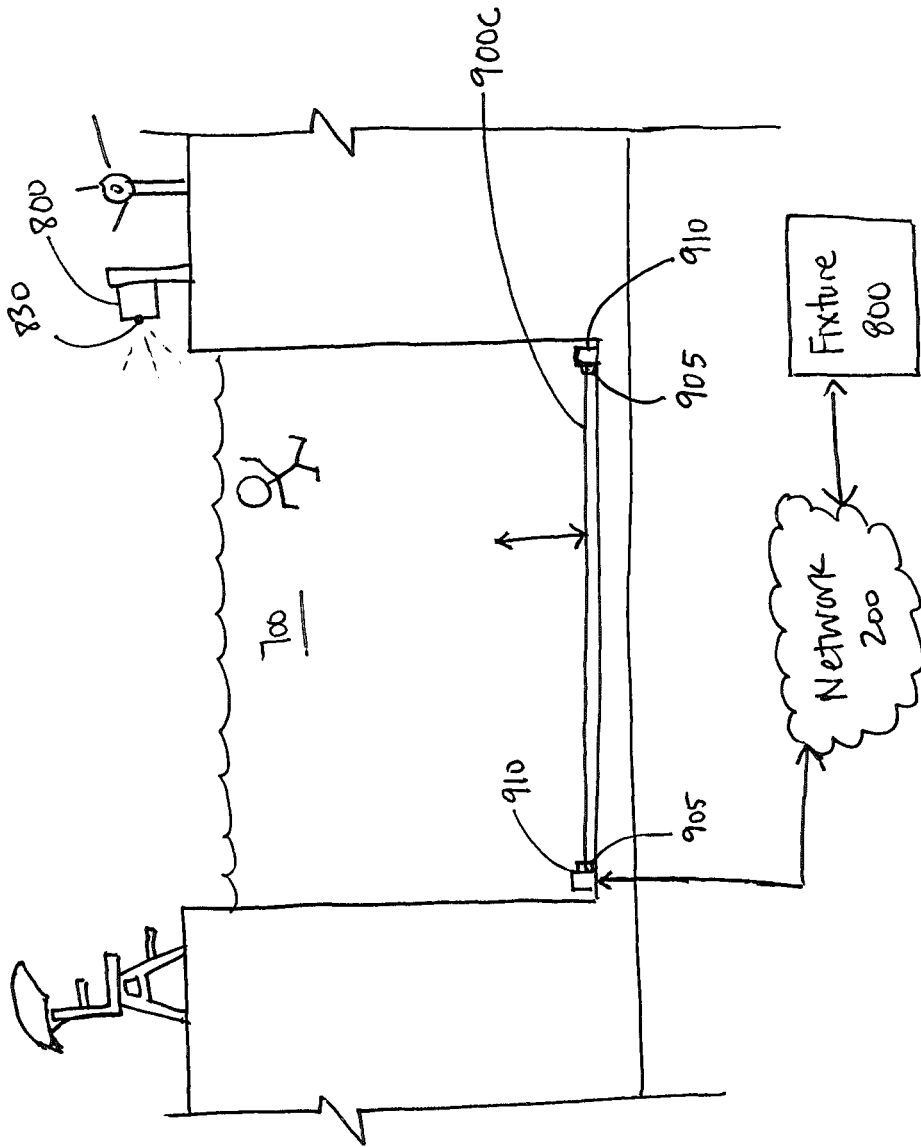


FIG. 9

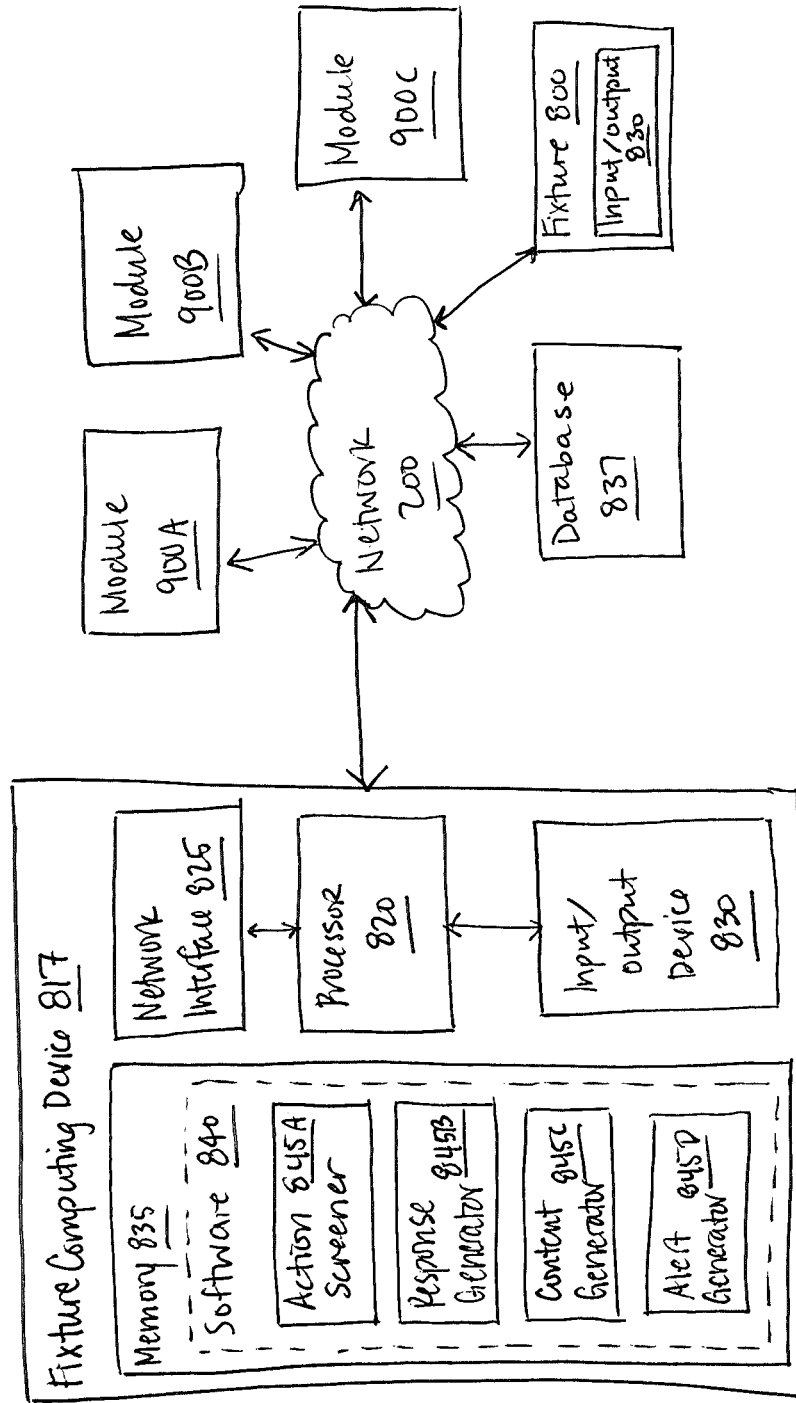


FIG. 1D

1

FIXTURE**CROSS-REFERENCE TO RELATED APPLICATIONS**

This application claims priority to U.S. Provisional Patent Application No. 62/477,655, filed Mar. 28, 2017, the entirety of which is incorporated by reference herein.

BACKGROUND

Fixtures are a staple in and around nearly every building in industrialized nations. Lighting fixtures are obviously useful for illuminating rooms. Other fixtures are also widely used, including fixtures for fans, among others. However, technology surrounding fixtures has remained relatively unchanged for a number of years. Because fixtures are located in nearly every room of a building, as well as many areas outside of a building, there is significant opportunity to incorporate fixtures as a part of an overall system having increased abilities to interact with subjects (e.g., humans, animals, and objects).

SUMMARY

The following presents a simplified summary of the invention in order to provide a basic understanding of some aspects of the invention. The summary is not an extensive overview of the invention. It is not intended to identify critical elements of the invention or to delineate the scope of the invention. Its sole purpose is to present some concepts of the invention in a simplified form as a prelude to the more detailed description that is presented elsewhere.

In one embodiment, a fixture includes a housing having an output device, at least one sensor, and a projector for projecting image data. The fixture further includes a fixture computing system that is communicatively coupled to the output device, the sensor, and the projector and includes a processor, and non-transitory computer memory having programming for receiving information from the at least one sensor and causing the projector to project the image data.

In another embodiment, a fixture system includes a fixture, a fixture computing system, and a first remote response module. The fixture has a housing with at least one sensor and a projector for selectively projecting image data onto a surface. The fixture computing system is communicatively coupled to the sensor and the projector, and includes at least a processor, and non-transitory computer memory comprising programming for receiving information from the at least one sensor; transmitting the sensor information over a network; determining the presence of a situation; and retrieving the image data from a database for display by the projector. The first remote response module has a first remote response computing system that is communicatively coupled to the fixture computing system. The first remote response computing system similarly has a processor, and non-transitory computer memory with programming for receiving the sensor information from the fixture computing system and activating the remote response module.

In still another embodiment, a fixture system includes a housing with a light and a projector for projecting image data onto a surface. The system further includes a fixture computing system having a processor, and non-transitory computer memory comprising programming for causing the projector to project the image data.

BRIEF DESCRIPTION OF THE DRAWINGS

FIG. 1 is a bottom view of a fixture according to an embodiment of the invention.

2

FIG. 2 is a perspective view of the fixture of FIG. 1.

FIG. 3 is a schematic of a system incorporating a fixture according to an embodiment of the invention.

FIG. 4 is a schematic of a system incorporating a fixture according to another embodiment of the invention.

FIG. 5 is a schematic illustrating a system incorporating a fixture according to still another embodiment of the invention.

FIG. 6 is a side view of a fixture according to yet another embodiment of the invention.

FIG. 7A is a perspective view of a fixture according to still yet another embodiment of the invention.

FIG. 7B is a perspective view of a fixture according to a further embodiment of the invention.

FIG. 8A is a front view of a pool fixture according to another embodiment of the invention.

FIG. 8B is a side view of the pool fixture of FIG. 8A.

FIG. 9 is a perspective view of system incorporating a pool fixture according to still another embodiment of the invention.

FIG. 10 is a schematic illustration of a system incorporating a fixture according to an embodiment of the invention.

DETAILED DESCRIPTION

Embodiments of fixtures having increased functionalities as part of an overall communications system are described herein. As will be described in greater detail below, in one embodiment, a fixture may be a stand-alone device, generally configured to interact with a system for providing information to a user via a display. In another embodiment, a fixture may be further configured to interact with a user to provide a user-specific output in accordance with the system with which it is associated. While specific embodiments of various fixtures are described in detail herein, it shall be understood that the underlying invention described herein can be incorporated for use with any fixture which may be found in or around a location.

FIGS. 1-2 illustrate a fixture **100** according to one embodiment of the invention. Here, the fixture **100** is embodied as a can light, such as those typically found in a ceiling of a building. Here, the fixture **100** includes a housing **105** and a light **110**. The light **110** may, in embodiments, be an LED light, although other types of lights may additionally or alternately be appropriate. The housing **105** and/or the light **110** may be equipped with wiring **115** for receiving and/or transferring power as described below. The housing **110** may be equipped with one or more input and/or output devices **130a**, **130b**, **130c** (generally sensors, **130**), which are part of a fixture computing device **117** associated with the fixture **100**. The fixture computing device **117** may be directly associated with the fixture **100**, or may be distributed (i.e., remote) from the fixture **100**. In any event, the fixture computing device **117** is communicatively coupled to the fixture **100**.

The wiring **115** may include traditional electrical wiring, which may allow the light **110** and/or the fixture computing device **117** to hook into the existing electrical system. Alternately, the wiring **115** may be, for example, light pipes or fiber optics which may receive light from another area in a building in order to power the light **110** and/or the fixture computing device **117**. In one embodiment, a sensor **130a** may include a light detection and transmission sensor (e.g., one or more solar panels) which may be configured to receive, transduce, and store ambient light energy to provide power to the light **110**. Energy from the sensor **130a** may be stored (e.g., in a battery, capacitor, etc.) to provide electrical

power to the light **110** and/or the fixture computing device **117** during periods of low ambient light exposure (e.g., at night).

Further, the light **110** (and other components) may be controlled via a DIP switch (or other programmable configuration device). As known to those of skill in the art, the DIP switch may allow for remote control of the light without requiring an electrical connection between the light **110** and the on/off switch. This may be particularly advantageous where the wiring **115** includes light pipes and/or fiber optics and is otherwise not dependent on electrical energy. Energy harvesting techniques can be used from the optical pipe system to distribute power to subsystems in select embodiments.

Sensors **130a** and **130b** may be, for example, a motion detector, proximity sensor, camera, video camera, infrared detector, a receiver, humidity sensor, thermometer, or any other sensor that is now known or later developed. It shall be understood that the sensor **130b** may include a plurality of sensors, including but not limited to those listed immediately above. The sensors **130b** which may be incorporated into the fixture **100** may be selected based on the location of the fixture **100** and/or the desirable function of the fixture **100**. In embodiments, the sensors **130b** may optionally be removable and/or exchangeable, to allow a user to customize the fixture **100** according to the user's desires. The sensors **130b** may be configured to communicate with the fixture computing device **117** as described in greater detail below.

An output device **130c**, such as a projector, may be situated in the housing **110**, e.g., along an inner rim of thereof. The projector **130c** may be configured to provide display content on a surface near the fixture **100**. FIG. **4** shows a schematic illustration of a fixture **100** embodied as a can light disposed in a ceiling **5** of a building **1**. FIG. **5** shows a schematic illustration of a fixture **100** embodied in a ceiling fan. In both embodiments, although not necessarily required, the projector **130c** of the fixture **100** projects indicia **160** onto the wall **10**. In embodiments, multiple projectors **130c** may be included in the fixture **100**, and indicia **160** may be projected onto multiple surfaces. It shall be understood that the output device **130c** may be embodied in a plurality of output devices **130c**, including but not limited to a projector, speakers, lights, fragrance delivery systems, noise/vibration canceling propagation devices, radio frequency (RF) repeaters, etc.

Attention is now directed to FIG. **3**, which schematically illustrates a system having an exemplary fixture computing device **117** with analysis and response capabilities. The fixture **100**, fixture computing device **117**, and other computing devices (or modules **300** and **400**) are communicatively coupled (e.g., via wires or wirelessly over a network **200**). The fixture computing device **117** includes a processor **120** communicatively coupled to a network interface **125**, and memory **135**. The sensors **130a**, **130b**, **130c** may be in communication (e.g., via wires or wirelessly over the network **200**) with the processor **120**. The processor **120** operates software **140** housed in the memory **135**.

Processor **120** represents one or more digital processors. In some example embodiments, the processor **120** may be configured through particularly configured hardware, such as an application specific integrated circuit (ASIC), field-programmable gate array (FPGA), etc., and/or through execution of software to perform functions in accordance with the disclosure herein. Network interface **125** may be implemented as one or both of a wired network interface and a wireless network (e.g., Wi-Fi, Internet, Bluetooth, Cellular,

etc.) interface, as is known in the art. Memory **135** represents one or more of volatile memory (e.g., RAM) and non-volatile memory (e.g., ROM, EPROM, FLASH, magnetic media, Electrochromic, Active Graphically Encoded Icon (GEI), optical media, chemical, etc.). Although shown within the fixture computing device **117**, memory **135** may be, at least in part, implemented as network storage that is external to the fixture **100** and/or the fixture computing device **117**, and accessed via network interface **125**.

Software **140** may be stored in a transitory or non-transitory portion of the memory **135**. Software **140** includes machine readable instructions that are executed by processor **120** to perform the functionality of the computing device **117** as described herein. In the illustrated example, the software **140** contains one or more modes of functionality, including but not limited to an action screener **145A**, an authenticator **145B**, a primary content generator **145C**, an olfaction module **145D**, an alert generator **145E**, and a response generator **145F**, each of which are described in more detail below. The software **140** may contain fewer modes of functionality, depending on the sensors **130**. As the sensors **130** receive data, the information may be evaluated by the software **140** to determine what, if any action, by the fixture **100** is desirable.

The authenticator **145B** may, in embodiments, communicate with a mobile computer of a user (discussed further below) to verify the identity of the user. For instance, and as discussed below, a user may download a mobile application to allow him to interact with the fixture **100**. During the installation process, a unique number associated with the user's mobile computer (e.g., an Android ID, a Google Advertising ID, a Universal Device ID, etc.) may be retrieved and stored (e.g., in cloud storage). When a proximity sensor **130** (see FIG. **1**) indicates that a user is proximate (e.g., within 1-5 feet of) the fixture **100**, the authenticator **145B** may use the network interface **125** to interact with the user's mobile computer (e.g., over Bluetooth Low Energy (BLE) beacons, LIDAR, or other triangulation network techniques) to determine the device ID and/or physical position of the user's mobile computer. It shall be understood that the proximity sensor **130** as well as the user's mobile computer are not limited to traditional devices that exist today and could extend their operation onto (or within) future devices that utilize distributed networking techniques such as Internet of Things (IoT) which may eventually be embedded into objects, animals, and humans. The authenticator may thereafter match the device ID obtained when the user is at the fixture **100** with the device ID retrieved during the mobile application installation, and thereby, identify and authenticate the user. Optionally, the user may engage with the mobile computer and the mobile application to save preferences of the user (e.g., favorite shows, news channels, music, movies, etc.). Where the user has uploaded preferences into the mobile application, and the proximity sensor **130** determines that the user is proximate the fixture **100**, the processor **120** may activate the primary content generator, discussed below, to provide the preferred content for the user to see.

The primary content generator **145C** may generate content (e.g., indicia **160**, see FIG. **4**) for display on a surface near the fixture **100**. The primary display content **160** may be general content or individualized (i.e., personalized) content. General content, as used herein, may include TV channels, sports games, movies, non-targeted advertisements, etc. Individualized content, as used herein, may include a personalized message, targeted advertising, cryptographic digital ledger (Blockchain), or any other content

that is tailored to the particular user near the fixture **100**. In an embodiment, when the authenticator does not recognize the user, or preferences have not been uploaded, the content **160** displayed on the display surface may be general content. When a user is near the fixture **100** and his identity is confirmed using the authenticator **145B**, the primary content generator **145C** may cause the projector **130c** to display content **160** that is personalized to that user. For instance, where the user provides his name as part of the installation of the mobile application, the user may pick topics that are of interest to the user, and the projector **130c** may display personalized content (e.g., targeted advertisements, movie trailers, biometric related data, etc.) in line with the user's preferences. In some embodiments, the personalized content may be dynamic (e.g., where the user used a search engine on the mobile device to search for listings for a new vehicle within the last hour, the primary content generator **145C**, upon communication of the mobile device with the software **140**, may display advertisements for new vehicles). The projector **130c** may thus, in embodiments, provide the user a personalized and immersive experience via the fixture **100**.

The alert generator **145E** may generate a second content for interacting with the user. For example, in some embodiments, the alert generator **145E** may cause an alert (specifically, a sound or flashing lights via an appropriate output device **130**) to be generated when a sensor **130** indicates the presence of possible harm. Additionally, a display **160** may be displayed (e.g., via the projector **130c**) to alert the user to the possible danger. For example, the fixture **100** may include an infrared sensor **130** for detecting heat patterns. If the infrared sensor **130** detects the presence of a hot spot, for example, the sensor **130** may, in conjunction with the processor **120** and the alert generator, cause a display to appear on a surface near the fixture (e.g., "FIRE—EXIT THE BUILDING IMMEDIATELY"). At the same time, the fixture **100** may optionally activate one or more output devices **130** (e.g., lights and/or sound) to provide an auditory alert to nearby persons. Additionally, the fixture **100** may activate, via the response generator **145F**, one or more remote devices, here, sprinklers (represented by module **300** in FIG. 4) to address the fire. It shall thus be understood that the sprinkler (and any other remote module **300**, as discussed herein) may be equipped with a network interface and processor for communicating over the network **200** with the fixture computing device **117** for the purpose of receiving instructions from the fixture computing device **117** in response to information received from the one or more sensors **130**.

The olfaction module **145D** may utilize olfactory sensors to detect the presence of an undesirable scent near the fixture **100**. Upon determining the presence of an undesirable scent, the olfaction module may, in conjunction with the processor **120**, cause a predetermined amount of perfume to be sprayed into the room. The olfaction module **145D** may be configured to routinely run, for example, every 20 minutes, 30 minutes, 45 minutes, 60 minutes, etc. to check for the presence of an undesirable scent. If the module does not detect the presence of an undesirable scent, no action may occur until the next routinely checks the area for an undesirable scent. The olfaction module **145D** is not limited to qualitative readings of scents. Quantitative readings can also

be realized through spectroscopy (or gas chromatography mass spectrometry) that can be used to identify gas, liquid or solids content. These specific olfactory readings can be processed through a database to alert unsafe conditions that are outside of the traditional definition of smell. Some of the possible safety alert examples are biohazard, chemical identification, radiation levels, etc.

As mentioned above, a sensor **130** may include a camera, video camera, infrared sensor, and/or a voice recognition tool. The action screener **145** may be configured to interpret action(s) received by the camera, video camera and/or voice processing recognition tool (e.g., receiver) **130** from a user in order to generate a response. For example, a user may speak aloud to turn on the television to a particular channel. The projector **130c** may subsequently be activated, and through the network **200**, begin to project content from the particular channel on to, for example, the wall, floor, or other surface. FIG. 4 illustrates a user in a room with a fixture **100** in communication with a fixture computing device **117**. The fixture **100**, via projector **130c**, is projecting indicia **160** onto the wall, which is viewable by the user.

In embodiments, the action screener **145** may be configured to recognize certain gestures from a user for the purpose of activating various features of the fixture **100**. For example, a sensor **130** (e.g., camera or video camera) may be programmed to recognize a particular sequence of movements to activate the projector **130c**. Another sequence of movements may be utilized to deactivate the projector **130c**. Still another sequence of movements may be utilized to activate another output device **130** via the response generator **145F** (e.g., a fragrance dispenser) or a remote module **300**, as described in greater detail below. Gesture interactivity is not limited to human interaction. For example, movements of animals, plants, objects, etc. may be used for interactive input to the system in certain embodiments. Gesture monitoring may also extend to behavior observation where gesture movements outside of a dynamic normalized curve can be identified resulting in alert conditions that can be communicated externally as anomalies, pre-alarms, or alarm alerts. An example could be a cashier's anxious behavior during a transaction which could trigger a pre-alarm, which may subsequently progress to a serious alarm condition based on dynamic gestures (e.g., abnormal behavior, pre-trained trigger movements, or deceptive cues).

It shall be understood that fixtures **100** having certain sensors **130** such as cameras and/or video cameras may be undesirable in sensitive locations, such as restrooms, bedrooms, etc. Accordingly, some fixtures **100** may only include sensors **130** which may be acceptable in such locations, such as voice recognition sensors, infrared sensors, etc.

As described briefly above, the response generator **145F** may send a request for action over the network **200** to one or more remote modules **300** and **400** in response to receipt of information from the various sensors **130**. The module **300** may include other fixtures **100** located within a particular geographic location, or other systems located throughout a building, such as the HVAC system, the security system, sprinkler system, etc. Information received by the sensor(s) **130** may trigger the response generator **145F** to send a signal over the network **200** to elicit a controlled response e.g., turning on the heat or A/C, tuning the temperature, etc. from the respective module **300**. Here, the memory **135** may be pre-programmed (which may be updated from time to time) with user preferences concerning particular operations around a geographic location, such as preferred temperatures (e.g., at particular time intervals in a particular location), amount of light, audio, etc.

As noted above, the respective module **300**, be it an HVAC system, security system, sprinkle system, or other remote system, may be equipped with a network interface and processor for communicating over the network **200** with the fixture computing device **117** for the purpose of receiving instructions from the fixture computing device **117** in response to information received from the one or more sensors **130**.

For example, in an embodiment, the fixture **100** may include a thermometer **130** and a voice recognition sensor **130**. The thermometer **130** may decipher the temperature in and around a particular location. As the thermometer **130** receives said temperature data, the fixture computing device **117**, via the software **140**, may determine that the temperature is above (or below, as the case may be) the predetermined desired temperature for that location at that time. The response generator **145F** may therefore send a signal to the HVAC system (e.g., module **300**), causing the HVAC system to turn up the air conditioner to reduce the temperature at that location. Other modules **300** may additionally be communicatively coupled to the fixture **100**, thus allowing the user to control various systems throughout a building from a single location.

In embodiments, the user may additionally, or alternately, control the various modules **300** via voice interaction with the fixture **100**. For example, the user may simply speak “turn the temperature to 68” which may be picked up by the voice recognition sensor(s) **130** which may cause the response generator **145F** to send a signal to the HVAC system. In some embodiments it will be desirable to pre-process and post-process audio signals for the purposes of understanding speech for interactive inputs as well as overcoming non-ideal acoustical properties such as echoes, noise-profiles (e.g. water based echo patterns within a shower). The system utilizes a closed loop of refining the input and output waveforms of audio speech, music, and ambient noise shaping to provide a seamless interactive experience for the user. These techniques ensure that the functions such as voice processing recognition as well as providing a flat frequency response listening environment. Multiple fixtures **100** may work in conjunction through a distributed network in order to optimize the performance of signal processing algorithms.

The remote module **400** may, in embodiments, be a remote device for controlling the light **110**, for example. The remote device may be a cell phone, a laptop computer, a tablet, or any other appropriate device that may be programmed to communicate over the network **200** for the purpose of controlling the system. Such devices are well known to those of skill in the art.

In embodiments, the system includes a plurality of fixtures **100** (and therefore fixture computing devices **117**) in communication over the network **200**. As a user moves from one location to another, motion sensors **130** in the respective fixtures **100** may detect movement. The fixture computing device **117** in a first location may communicate (e.g., over the network **200**) with a fixture computing device **117** in a second location to alert the fixture computing device **117** in the second location of movement of the user such that the user experience is continuous. For example, consider a projector **130c** in the first fixture **100** that, via fixture computing device **117**, is projecting a TV show at a first location. When the user moves from the first location to a second location, a motion sensor **130** in the fixture **100** in the first location may detect that the user is no longer in the room and shut the projector **130c** off. When the user enters a second location, the motion detector **130** in the second

fixture **100** may detect same, and the projector **130c** in the second fixture **100**, via the fixture computing device **117**, may be activated to project the TV show in the second location. Thus, the user may experience virtually uninterrupted entertainment as he moves throughout a building. Multiple fixture **100** devices may be operated in conjunction to provide fractional frame projection per fixture **100** in order to project a larger overall perception of projected screen image. In other words, each fixture **100** may project (or provide a portion of) the overall desired resulting image where the plurality of fixture **100** devices provides an overall seamless composite image.

In some embodiments, the fixture computing device **117** is provided together with the fixture **100**, and the fixture **100** is disposed in a harsh environment, such as in or near a shower, in a pool, etc. Here, the fixture computing device **117** may be enveloped in a housing so as to protect the various components from water damage.

In embodiments where the fixture **100** is disposed at or near a shower, for example, the projector **130c** (via positioning of the housing **105**) may be configured to project on a wall or other surface. Alternately, the projector **130c** may be configured to project on a pane of glass, such as the shower door. Various systems exist which may allow for the projection of images on panes of glass. Exemplary window panel systems for the projection of image data are described in U.S. patent application Ser. Nos. 14/807,331 and 15/853,079, which are incorporated by reference herein in their entireties. It shall be understood that the projector **130b** may be provided in conjunction with speakers **130** such that a user can also hear audio data in addition to the projected image data.

In some embodiments, it may be desirable to project at angles that are not perpendicular in relation from the projector’s lens to the projection viewing surface. In these cases it is necessary to utilize a pre-processed optical correction mapping algorithm that can correct for keystone effects which can provide correction to aspect ratio and angular cohesion and framing of the desired projection image. In other embodiments the optical correction mapping algorithm may utilize three-dimensional spatial mapping techniques to allow projection onto surfaces that are either inconsistent in elevation (e.g. not a flat screen) or a contoured 3-dimensional surface such as an object on a table or a person’s face. The inverse process of projecting a pre-processed optical correction mapped image yields a corrected image for angle and varying elevation to provide desirable image viewability.

Reference is made herein to a can light which is for use in a structure such as a building. It shall be understood by those of skill in the art, however, that the components described herein may be incorporated into other light fixtures, including but not limited to light fixtures in pools, above showers, street lamps, as part of the fixture for a ceiling fan (FIG. 5). Further embodiments may incorporate fixtures **100** into kitchen counter lighting, backsplash displays, window frames (e.g., in a curtain panel display, such as a display incorporating smart glass), holographic table-to-cup projection, airplane seatbacks, etc.

FIGS. 8A, 8B, 9, and 10 illustrate an alternative embodiment of a fixture **800** for use as a pool light. The fixture **800** is substantially similar to the fixture **100** except as shown and/or described herein, or as would be inherent. Further, those skilled in the art will appreciate that the embodiment **800** may be modified in various ways, such as through incorporating all or part of any of the various described embodiments, for example. For uniformity and brevity,

reference numbers between **800** and **899** may be used to indicate parts corresponding to those discussed above numbered between **100** and **199** (e.g., sensor **130** corresponds generally to the sensor **830**), though with any noted or shown deviations.

Here, the fixture **800** includes a projector **830b**. The projector **830b** may be configured to project image data into the pool **700**, and optionally, onto the pool floor **705**. The fixture **800** may further include one or more sensors and/or output devices **830a** and **830c** for gathering data at or near the fixture **800**. In embodiments, the sensors and/or output device **830a** and **830c** may optionally include thermometers, cameras, video cameras, infrared sensor, speaker, pH sensors, chemical detection sensors, etc.

Similar to the fixture **100**, the fixture **800** is communicatively coupled to a fixture computing device **817** which may be part of, or remote from, the fixture **800**. The fixture computing device **817** may include various functional modes (generally **845**), including an action screener **845A**, a response generator **845B**, a content generator **845C**, and an alert generator **845D**. The functional modes **845** operate in conjunction with the sensors **830a** and **830c** to analyze data from the sensors **830a** and **830c** and to provide a response thereto. In addition, the fixture **800** may be communicatively coupled (e.g., over a network **200**) with remote modules **900A** and/or **900B** for providing a response, as is described herein. It shall be understood that the remote modules **900A** and **900B** can be multiple modules, each of which may have its own functionality.

The action screener **845A** may, for example, be configured to interpret action(s) received by a camera and/or video camera **830** from a user in order to generate a response. In particular, the action screener **845A** may be configured to recognize erratic or unsynchronized movements to detect a likelihood of drowning (e.g. dynamic gesture decoded actions). In such an event, the action screener **845A**, via the video camera **830**, may detect suspicious activity due to the presence of erratic movement within the viewing field. Upon determining that there is a likelihood of suspicious activity, the action screener **845A** may activate the alert generator **845D**. The alert generator **845D** may send out an alert (e.g., wirelessly over the network **200**) to a remote device **900A**, such as a mobile device. At the same time, the alert generator **845D** may cause a remote device **900B**, such as a speaker, to provide an audio indication of a possible unsafe situation. Still further, the alert generator **845D** may cause the light in the fixture **800** to flash. In this way, persons in the pool and outside of the pool may be alerted to the presence of a potentially unsafe situation.

A user of the remote device **900A**, such as a parent or a lifeguard, may assess the situation and interact with the remote device **900A** (equipped with the necessary programming) to either deny the presence of an unsafe situation, or to confirm that an unsafe situation is present. The alert generator **845D** may include a timer, which gives the user a predetermined period of time to either confirm or deny the presence of an unsafe situation. If the user denies the presence of an unsafe situation, then the alert generator **845D** may be deactivated, and the video camera sensor **830** may resume scanning the area for possible unsafe situations. If, instead, the timer expires, or the user confirms the presence of an unsafe situation, then the alert generator **845D** may enter into a catastrophic mode.

In the catastrophic mode, the alert generator **845D** may activate a remote device **900C**, such as a flotation device to the area where the distressed swimmer is located. In an embodiment, the flotation device is a net-like flotation

device or pad that is housed at the bottom of the pool. When the catastrophic mode is activated, the net is released from latches at the edge of the pool, and surrounds the distressed swimmer to prevent the swimmer from drowning. In 5 embodiments, the net has a degree of buoyancy that causes the net to float on the water, thereby preventing the swimmer from drowning. In another embodiment, the net may be programmably buoyant. Here, the net or pad may be selectively filled with a gas (e.g., a gas that is lighter than water) via, for example, activation of a firing mechanism by the alert generator **845D**. The firing mechanism may pierce a gas cartridge communicatively coupled (e.g., via a tube) to the flotation device. Gas may flow from the cartridge to the flotation device causing the flotation device to inflate. Once 10 the swimmer is safely removed from the pool, the flotation device may be deflated (e.g., via the use of selective openings in the device) and returned to its storage location. In embodiments, latches **910**, such as solenoid latches, hoists, or the like, may be utilized to move the flotation device back to its storage position.

Instead of, or in addition to, a video camera **830**, the fixture **800** may include a voice processor recognition tool. The voice recognition tool may be specifically configured to recognize sounds (e.g., "HELP!", unusual splash patterns, screams, extended garbled speech, etc.) to activate the action screener **845A** and the alert generator **845D**, as described herein. In applications such as pool lighting, interactive safety devices will utilize pre- and post-processing with a closed-loop to resolve "safe" and "unsafe" conditions such as a child falling in the pool and calling for help. Closed loop processing techniques for identification, safety, etc. is not limited to audio and can be realized utilizing visual, temperature and other input signals.

Optionally, sensors **830** may additionally be located outside of the pool (e.g., via additional fixtures **800** disposed around the pool such as on light poles, life guard stands, etc., or as a standalone sensor **830**). Where a plurality of fixtures **800** are utilized, each of the fixture computing devices **817** is communicatively coupled together, e.g., over the network **200**, as is described herein. In embodiments, the action screener **845A** may be configured to recognize certain purposeful gestures from a user for the purpose of activating various features of the fixture **800**. For example, the sensor **830** (e.g., camera or video camera) may be programmed to recognize a particular sequence of movements to activate alert generator **845D** to send an alert to an employee to bring another drink. Gesture interactivity is not limited to human interaction. For example, movements of animals, plants, objects, etc. may be used for interactive input to the system in certain embodiments.

It shall be understood that while the alert generator **845D** is described herein as generating alerts due to the perceived presence of an unsafe situation, the alert generator **845D** may additionally, or alternately, be configured to provide alerts to a remote module **900A**, such as a remote device, for the purpose of providing refreshments to a pool patron.

FIGS. 6-7B illustrate another alternative embodiment of a fixture **500** consisting of a hook **505** that fits over, for example, a door **510** (although it may be configured to interact with other appliances, equipment, etc.). Here, the hook **505** has a first appliance engaging portion **505a** and a second appliance engaging portion **505b** connected via a central portion **505c**. In the embodiment shown in FIGS. 6-7B, the first appliance engaging portion **505a** is situated on the outside of the door **510** (e.g., facing outside); the second appliance engaging portion **505b** is thus situated on the inside of the door **510**.

11

The first appliance engaging portion **505a** may be equipped with one or more sensors (generally, **530**). The sensors **530** may include but are not limited to video recorders, microphones and/or sound recorders, cameras, temperature gauges, etc. The sensors **530** may optionally be contained inside a housing which may protect the sensors **530** from the elements. In an embodiment, the second engaging portion **505b** includes a projector **532**. The projector **532** may be configured to be in communication (e.g., wired or wireless, including over a network, WiFi, Bluetooth, cellular, etc.) with the sensors **530** at the first appliance engaging portion **505a**.

While the sensors **530** are shown on an outside of the door with the projector **532** on an inside of the door, it shall be understood that sensors **530** may additionally, or alternately, by on the inside of the door (e.g., in the second engaging portion **505b**), with the projector **532** additionally, or alternately, on an outside of the door (e.g., in the first engaging portion **505a**).

In one embodiment, illustrated in FIG. 7A, the sensor (not visible) is a video camera that is equipped with a microphone. The sensor **530** is in communication with the projector **532**. When the sensor **530** detects the presence of an individual in front of the door **510**, the individual's likeness may be projected onto the backside of the door **510** such that a person standing in the house may see the individual on the other side of the door. One or more sensors on the second appliance engaging portion **505b**, such as a video camera and/or microphone may similarly be configured to record and transmit the likeness of the person standing on the inside to the person standing on the outside via a projection device (e.g., like projector **532**).

In another embodiment, illustrated in FIG. 7B, the projector **532** may be configured to project indicia **540** onto the inside of the door **510**. The indicia **540** may be selected from a database **137** in the fixture computing device **117** associated with the fixture **500** (which may be accessed wirelessly over the network **200**, for example) for projection onto the door **510**. In embodiments, the database **137** may be accessed by a wireless device **400** (e.g., a cellular phone) which may allow a user to select the indicia **540** that is to be projected onto the door **510**. The projector **532** may be configured to automatically switch between projecting an image from a sensor **530** in the first appliance engaging portion **505a** and projecting indicia **540**, depending on the information that is being received by the sensor **530**. In embodiments where the sensors **530** include sensors for monitoring temperature, humidity, etc., the information may be communicated (e.g., wirelessly) to the user or other subsystems which may be distributed throughout the home as discussed herein.

Many different arrangements of the various components depicted, as well as components not shown, are possible without departing from the spirit and scope of the present invention. Embodiments of the present invention have been described with the intent to be illustrative rather than restrictive. Alternative embodiments will become apparent to those skilled in the art that do not depart from its scope. A skilled artisan may develop alternative means of implementing the aforementioned improvements without departing from the scope of the present invention. Further, it will be understood that certain features and subcombinations are of utility and may be employed within the scope of the disclosure. Further, various steps set forth herein may be carried out in orders that differ from those set forth herein without depart from the scope of the present methods. This specification shall not be restricted to the above embodiments.

12

Any units of measurement provided herein are exemplary in nature only and are not meant to specifically define the dimensions of the system. Other dimensions may be appropriate or desirable.

The invention claimed is:

1. A fixture, comprising:

a housing, comprising:

an output device selected from a list consisting of: a light, a speaker, a fan, and a smart glass display;

at least one sensor selected from the list consisting of: a motion detector, a thermometer, a camera, a video camera, a proximity sensor, a voice processor, and an infrared detector; and

a projector for projecting image data onto a surface;

a fixture computing system communicatively coupled to the output device, the sensor, and the projector, the computing system comprising:

a processor; and

non-transitory computer memory comprising programming for receiving information from the at least one sensor and causing the projector to project the image data, the programming comprising:

an action screening module for determining a presence of a situation at a location, an alert generation module for generating an alert based on the presence of the situation, and a response generation module for generating a request for a response from a remote module;

wherein the remote module is communicatively coupled to the fixture computing system and comprises:

a processor; and

non-transitory computer memory comprising programming for interacting with the fixture computing system and activating the remote module in response thereto.

2. The fixture of claim 1, wherein the fixture computing system programming comprises an authentication module and a content generation module; wherein the authentication module wirelessly interacts with a mobile device of a user to retrieve personalized information from the mobile device; and wherein the content generation module generates content based on the personalized information, the content being displayed to the user via the projector.

3. The fixture of claim 2, wherein the alert generation module transmits an alert to the response generation module to generate a response request.

4. The fixture of claim 1, wherein the remote module is selected from the list consisting of: an HVAC system, a security system, and a sprinkler system.

5. The fixture of claim 1, wherein the housing forms a pool lamp, and the output device is a light.

6. The fixture of claim 1, wherein the remote module is a flotation device.

7. The fixture of claim 6, wherein the flotation device is selectively buoyant, the buoyancy being activated in response to the request from the response generation module.

8. The fixture of claim 1, wherein the image data is stored in a database and is accessed wirelessly over a network.

9. A fixture system, comprising:

a fixture comprising a housing, comprising:

at least one sensor; and

a projector for selectively projecting image data onto a surface;

a fixture computing system communicatively coupled to the sensor and the projector, the computing system comprising:

13

a processor; and
 non-transitory computer memory comprising programming for:
 receiving information from the at least one sensor;
 transmitting the sensor information over a network;
 determining the presence of a situation; and
 retrieving the image data from a database for display
 by the projector;

a first remote response module, comprising a first remote
 response computing system communicatively coupled
 to the fixture computing system, the first remote
 response computing system comprising:
 a processor; and
 non-transitory computer memory comprising program-
 ming for receiving the sensor information from the
 fixture computing system and activating the first
 remote response module; and

a second remote response module comprising a second
 remote response computing system comprising:
 a processor; and
 non-transitory computer memory comprising program-
 ming for:
 receiving information from at least one of the fixture
 computing system and the first remote response
 computing system; and
 interacting with a user to confirm or deny the presence
 of the situation.

10. The fixture system of claim 9, wherein the program-
 ming of the fixture computing system, the first remote
 response computing system, and the second remote response
 computing system, in communication, together comprise the
 steps of, in the following order:
 a) receiving information from the at least one sensor;
 b) determining the presence of the situation;
 c) sending an alert from the fixture computing system to
 the second remote computing system;
 d) receiving a confirmation or denial of the presence of the
 situation from the second remote computing system;
 and

14

e) if the presence of the situation is confirmed, activating
 the first remote response module.

11. The system of claim 10, wherein the first remote
 response module is a safety device.

12. The system of claim 11, wherein the second remote
 response module is a mobile device.

13. A fixture, comprising:
 a housing, comprising:
 an output device; and
 at least one sensor;
 a fixture computing system communicatively coupled to
 the output device and the sensor, the computing system
 comprising:
 a processor;
 non-transitory computer memory comprising program-
 ming for receiving information from the at least one
 sensor; the programming further comprising:
 an action screening module for determining the
 presence of a situation at a location;
 an alert generation module for generating an alert
 based on the presence of the situation at the
 location; and
 a response generation module for generating a
 request for a response from a remote module;
 wherein the remote module is communicatively coupled
 to the fixture computing system, and comprises:
 a processor; and
 non-transitory computer memory comprising program-
 ming for interacting with the fixture computing sys-
 tem and activating the remote module in response
 thereto.

14. The fixture of claim 13, wherein the output device is
 selected from a list consisting of: a light, a speaker, a fan,
 and a smart glass display.

15. The fixture of claim 13, wherein the at least one sensor
 is selected from the list consisting of: a motion detector, a
 thermometer, a camera, a video camera, a proximity sensor,
 a voice processor, and an infrared detector.

* * * * *